

# TriWich® Modular Mobility Solutions

Modular Wheel Dollies: 2" Ultra Low Profile, 4" EV/SUV/RV, 6" Semi-Truck, 12" Aircraft Tarmac (Up to 99,000 lbs/Tire)  
Modular Shipping Container Dollies: Tractors, Forklifts, Trucks "The US Navy Wagon", Caddy "The AT&T 60k Caddy", LiftWich  
Modular Machinery Dollies - Safes, HVAC, Transformers, RF-Ovens, Drill Press, Injection Molding, etc. (Up to 320,000 lbs)  
LiftWich: Use your Pickup truck to Jack & Tow Shipping Container and Drive Down the Highway (Enabling ANY Mobile Business concept you can imagine)

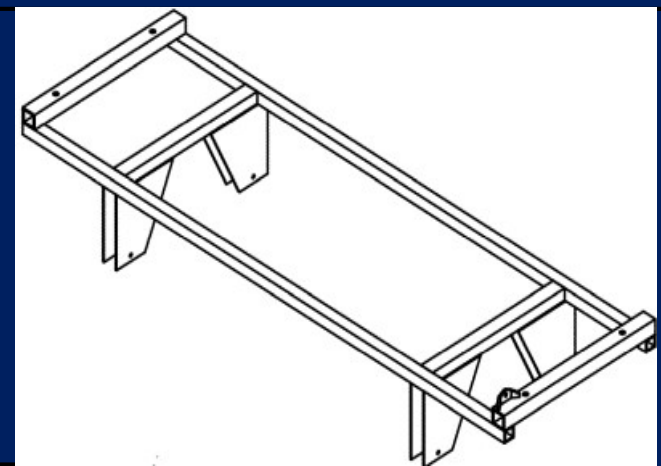
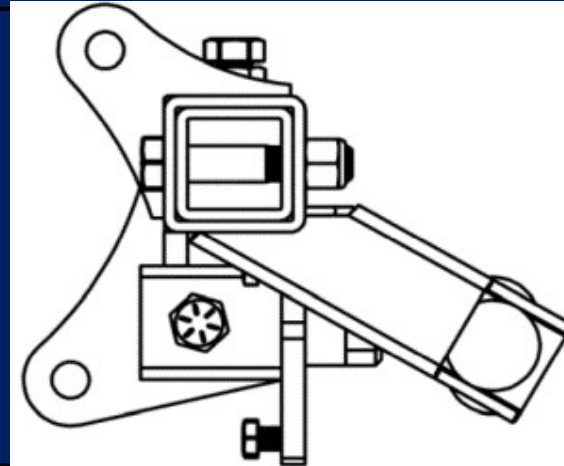
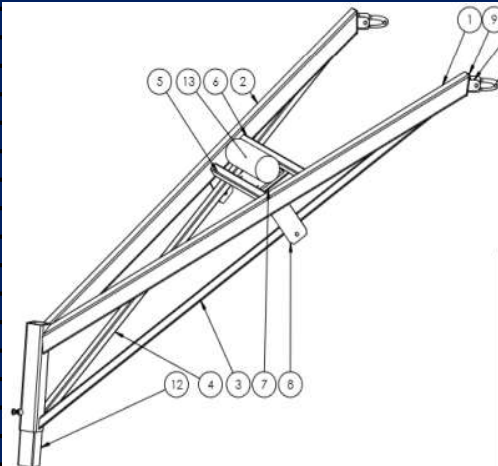
Contact Us:  
[www.TriWich.com](http://www.TriWich.com)  
[CS@TriWich.com](mailto:CS@TriWich.com)  
909.582.9591



## LiftWich

### The Gooseneck Jack and Tow Container System

Use your Pickup truck to Jack & Tow Shipping Container and Drive Down the Highway (Enabling ANY Mobile Business concept you can imagine)



Moving Tiny Home Two Days After Training

# TriWich® Modular Mobility Solutions

Modular Wheel Dollies: 2" Ultra Low Profile, 4" EV/SUV/RV, 6" Semi-Truck, 12" Aircraft Tarmac (Up to 99,000 lbs/Tire)

Modular Shipping Container Dollies: Tractors, Forklifts, Trucks "The US Navy Wagon", Caddy "The AT&T 60k Caddy", LiftWich

Modular Machinery Dollies - Safes, HVAC, Transformers, RF-Ovens, Drill Press, Injection Molding, etc. (Up to 320,000 lbs)

LiftWich: Use your Pickup truck to Jack & Tow Shipping Container and Drive Down the Highway (Enabling ANY Mobile Business concept you can imagine)

Contact Us:

[www.TriWich.com](http://www.TriWich.com)

[CS@TriWich.com](mailto:CS@TriWich.com)

909.582.9591



TriWich							
The Smallest Strongest Most Diverse Dolly Worldwide							
LiftWich							
LiftWich "The Gooseneck Jack and Tow" Pickup Truck Highway Towing System (Strongest High Vibration Bar we make)(Patent Pending)							
LiftWich "The Gooseneck Pickup Truck Shipping Container Highway Solution" (Eliminating 10,000 lbs & Enabling Any Mobile Business)						\$\$ .DBG. \$\$	
LiftWich.1056	LiftWich 7,500 Payload Turnkey Solution (One 5,660 lb Axle 10-ply tires)(6-20ft)			\$29,406.42	\$0.00	0	\$26,465.78
LiftWich.1070	LiftWich 10,000 Payload Turnkey Solution (One 7,000 lb Axle)(14-Ply tires)(6-20ft)			\$30,766.45	\$0.00	0	\$26,920.64
<b>LiftWich.2113</b>	<b>LiftWich 16,000 Payload Turnkey Solution (Two 5,660 lb Axles)(11,320)(6-40ft)</b>	<b>1</b>		<b>\$34,866.59</b>	<b>\$34,866.59</b>	<b>2,413</b>	<b>\$27,893.27</b>
LiftWich.2140	LiftWich 20,000 Payload Turnkey Solution (Two 7,000 lb Axles)(14,000)(6-40ft)			\$37,001.65	\$0.00	0	\$29,601.32
LiftWich.3169	LiftWich 25,000 Payload Turnkey Solution (Three 5,660 lb Axles)(16,980)(6-40ft)			\$40,326.76	\$0.00	0	\$32,261.41
LiftWich.3210	LiftWich 30,000 Payload Turnkey Solution (Three 7,000 lb Axles)(21,000)(6-40ft)			\$43,236.85	\$0.00	0	\$34,589.48
LiftWich.3X53	LiftWich 53FT Container Turnkey Solution (Three 7,000 lb Axles)(XCS)(Tri-Plug Wall)			\$55,696.16	\$0.00	0	\$44,556.93
<i>Tri-ing to explain an innovative invention with 100% new parts is not easy. This is our Tri-Language-Wich .</i>							
<i>Everything is Bottom Up Value Added &amp; Waterfall Pricing, which means spare parts are full price / systems sales have better value</i>							
<b>LiftWich-System-Level (Level 1 Terminology)</b>							
LiftWich.GN	LiftWich Gooseneck V-Frame System (Gooseneck)(V-Frame)(Wench)(7Way-40ft)			\$11,287.85	\$0.00	0	
LiftWich.uC	LiftWich uChassis (Dynamic Corners)(Snatch Block Coupler)(Heim Joint Struts)			\$5,516.14	\$0.00	0	
LiftWich.CS	LiftWich Container Saddle (CS) "Tri-Trailer" (Container Saddle)(Tri-Lights)(BaseWichs)(Electrical)			\$10,574.52	\$0.00	0	
LiftWich.BX	LiftWich BoXLess (BX) with Wheel Chocks			\$1,755.07	\$0.00	0	
LiftWich.TH	LiftWich Tow Hitch Mast-Tee (Wench Mast Pole)(Tow Hitch VeeTee)(Straps)			\$3,433.37	\$0.00	0	
LiftWich.XL	LiftWich Extra Large(XL) 53ft Container Upgrade (X53.Dynamic)(X53.Shield)(X53.CS)			\$10,115.84	\$0.00	0	
<b>LiftWich-Sub-System-Level (Level 2 Terminology)</b>							
Tri-Plug.Corner	Tri-Plug Corner (Tri-Plug)((Tapped Lug Bolt)(Spring Tabs)(Spring)(Patent Pending)(Set of 1)(2 required)			\$1,319.96	\$0.00	0	
Dynamic.Corner	LiftWich Dynamic Corner (Double Reinforced Corner)(Patent Pending)			\$999.87	\$0.00	0	
Snatch.Block.Coupler	LiftWich Snatch Block Tri-Coupler With Tri-Bars (Strongest Tri-Coupler)			\$1,992.72	\$0.00	0	
Electric.Axle.6000	Electric Brake Axle 5,660 lbs (Spings)(Seats)(U-Bolts)(Tires)(USA Dexter)			\$1,065.55	\$0.00	0	
BaseWich.1	BaseWich (Tri-655)(Tri-Angle)(Tri-Dove)(S20.05/14/28)(Spare Tire)(Set of 1)(2 required for LiftWich)			\$555.74	\$0.00	0	
Tri-Light.Corner.1	Tri-Light Corner (Light Mount)(Tapped.Lug)(Tri-Way)(S20.05)(2 required)			\$380.93	\$0.00	0	
Container.Saddle	LiftWich Container Saddle (CS) The Main Frame			\$4,690.70	\$0.00	0	
Electric.Saddle	Container Saddle Electrical (EZ Connector)(Junction Box)(Lights)(Brakes)			\$837.29	\$0.00	0	
<b>LiftWich-Tri-Part-Level (Level 3 Terminology) "Value Added Pricing"</b>							
Tri-Lug	Tri-Lug (Casting Corner 2x3 Hole Connector)(Rated 20k lbs)(Patent Approved)			\$524.99	\$0.00	0	
Tri-Plug	Tri-Plug (Shield Hole Connector)(Enables 160k Axles)(Patent Pending)			\$929.45	\$0.00	0	
Tapped.Lug	Tapped Lug (2x3 Oval Hole Connector) (Patent Pending)			\$184.96	\$0.00	0	
Heim.Joint.Strut	LiftWich uChassis Heim Joint Strut (Patent Pending)			\$760.12	\$0.00	0	
Heim.Joint.Tee	LiftWich uChassis Heim Joint Tee (HJT)(Patent Pending)			\$328.76	\$0.00	0	
Side.Lug.Mount	LiftWich uChassis Side Lug Mount (SLM)(L/R)(Patent Pending)			\$368.27	\$0.00	0	

Tri-Bar.S20.05.1	Tri-Bar.S20.05 Standard Square 2.0" Bar 5" long (Laser Holes with Hardware)	\$92.83	\$0.00	0
Tri-Bar.S20.14.1	Tri-Bar.S20.14 Standard Square 2.0" Bar 14" long (Laser Holes with Hardware)	\$161.81	\$0.00	0
Tri-Bar.S20.28.1	Tri-Bar.S20.28 Standard Square 2.0" Bar 28" long (Laser Holes with Hardware)	\$219.49	\$0.00	0
Tri-Bar.S25.48.1	Tri-Bar.S25.48 Standard 2.5" Square Bar 48" long (Laser Holes with Hardware)	\$451.79	\$0.00	0
Tri-Ways.HX.1	Tri-Way.HX: Horizontal Opposite Direction with HW	\$108.48	\$0.00	0
Tri-Ways.VX.1	Tri-Way.VX: Vertical Opposite Direction with HW	\$108.48	\$0.00	0
Tri-Ways.VX.1	Tri-Way.VI: Vertical In-line with HW	\$108.48	\$0.00	0

**LiftWich-Z-Part-Level (Level 4 Terminology) "Pass Through Costing"**

Z.EB.Axle.6000	Dexter Axle w/ Electric Brakes (6,000 lbs)(86-1/2")(71-1/2")(655)(Easy Lube Spindles)	\$582.12	\$0.00	0
Z.EZ.R7-54	R7-54 EZ Connect 7-Way Male to 4-Way Female	\$49.99	\$0.00	0
Z.EZ.R7-52	R7-52 EZ Adapter - EZ Female 7WAY / EZ Male 7WAY	\$66.85	\$0.00	0
Z.EZ.S7-06	S7-06 EZ Connect 7-Way Female to 7-Way Male	\$84.99	\$0.00	0
Z.EZ.R7-02	R7-02 EZ Connect 7-Way Kit (Male/Female)(Bumper)(T-Connector)(4' Trailer )(2' Vehicle)	\$149.99	\$0.00	0
Z.Jacking.Bolt.1	Jacking Bolt: 3-4-10-4 Steel Square-Head Cup-Point Set Screw(3/4"-10 Thread)(4" long)	\$14.59	\$0.00	0
Z.Jumber.Cables	Jumper Cables (1 Gauge)(25 FT long )(Clamp to Clamp)	\$125.99	\$0.00	0
Z.Snatch.Block	Winch Snatch Block for Synthetic Rope - 44,000 lbs (Bulldog)	\$63.99	\$0.00	0
Z.Tire.10-Ply	225/75R15 (6 on 5-1/2")(E 2,830)(10-Ply)(28.3"x8.9") White	\$194.30	\$0.00	0
Z.Tire.14-Ply	235/85R16 (8 on 6-1/2 )(G 4,450)(14-Ply)(31.7"x9.3") Black	\$370.58	\$0.00	0
Z.Wheel.Chock.2	Chock Wheel Stabilizers (Tandem-Axle Trailers and RVs)(Qty 2)(Ultra-Fab-Products)	\$90.84	\$0.00	0
Z.Winch.12k	Wireless Remote Winch - Synthetic Rope -12,000 lbs	\$1,044.99	\$0.00	0

*Everything is Bottom Up Value Added Theory based on our internal Operational Finance expertise specializing in Inventory and Costing for over 20 years.*

*53ft containers are wider and do not have upper casting corners, we have to build a Tri-Plug wall to go above 40ft containers*

*LiftWich enables moving any container from 6ft to 53ft with one trailer, mobilizing any business from Tiny Homes, Construction, Landscaping, Shops, to Hollywood Stages.*

*We believe LiftWich will replace the Tiltbed market and enable mobile Tiny Home Markets quickly*

*We are looking for a Shipping Container Angle Inventor*

**DMV Registration**

Certified DMV Trailer	DMV Trailer (VIN) / Brake and Light Certification / Empty Weight Certificate	\$1,500.00	\$0.00	0
-----------------------	--	------------	--------	---

**Questions & Answers**

LiftWich V1 Prototype	October 2022 See YouTube S1-S6 how we developed LiftWich Step By Step (Sold Immediately)
LiftWich V2 Max Strength	<b>March 2023</b> 40% stronger than V1: Double V, Dynamic Corners, Tri-Plug, BoXLess CS/VT (Sold immediately)(Customers requested Pre-Orders)
LiftWich CAD Simulation	April 2023 (@ NPSA in Vegas) 1 minute CAD installation simulation - 5 Steps Showing the basic on how LiftWich is installed
LiftWich V2 Leadtime	LiftWich is now 100% CAD / Steamlining Fabrication and Sourcing Leadtime Target (Q2 3 months)(Q3 2 months)(Q4 6 weeks)
LiftWich V3 Automated	<b>Q4 2023</b> - Automated BoXLeSS VT to intall Tri-Plugs / Automated Container Saddles (Automation/Bluetooth) (V2 is "upgradable" with discount)
DMV / VIN / DOT	<b>Registered DMV Trailer</b> (Gooseneck rating 15,000 lbs) we obtain a VIN number and License Plate (DOT is NOT necessary, but coming soon)
25,000 lb Equivalent	LiftWich eliminates 10,000 lbs of metal (NO Chassis / NO Semi-Truck) LiftWich @ 15,000 lbs would be equivalent to a Tiltbed at 25,000 lbs.
No CDL (Save \$\$\$)	<b>No Commerical Driver Liscense Required</b> for gooseneck trailers (i.e. boats, RVs) under 15,000 lbs (40ft containers are under 10,000 lb)
No Scales (Save time)	No Scales means <b>YOU Save 3 Hours/Day</b> not having to waiting in line to weigh your trailer (40ft containers are under 10,000 lbs)
Zero Down Shipping	We can hire YOU to pick up your LiftWich and finance your opening payments (Depends on your company age and credit history)
Multi-Trailer	One V-Frame can be used to manage multiple Rear Trailer systems /jobs (Reducing the average "trailer" under 20k)

**Total Capital Expenditures (CAPEX) Investment \$34,866.59 2,413**

System/ Solution Discount (New Market Testimonial Discount)	20%	(\$6,973)	(\$6,973)	0
---	-----	-----------	-----------	---

**Sub Total With Discount \$27,893 2,413 \$394.11**

Shipping & Handeling Determined at time of shipping (Based on distance and lift requirements)	2,655	\$2.10	\$5,574	241	Packaging
---	-------	--------	---------	-----	-----------

Sales Tax / Based on Country and State Laws / Tax Exmpet Requires Certification	EX	0.00%	\$0	0
---	----	-------	-----	---

**Total Price Total CAPEX with Taxes, Shipping & Handling \$33,467.76 2,655**

Purchase Order Payment Terms - Finance Fee 0.1% per day / Late Fee Monthly \$250 plus 1% of balance		0.00%	\$0	0
---	--	-------	-----	---

<b>Total Price</b>		<b>Total with Purchase Order Fee</b>			<b>\$33,467.76</b>	<b>2,655</b>		
<b>CAPEX</b>	<b>Shipping</b>	<b>Tri-ZeroDown</b>	<b>TZF</b>	<b>Rate</b>	<b>Years</b>	<b>Amount</b>	<b>Payments</b>	
\$34,866.59	\$6,973.32	\$12,203.31	25	4.99%	7	\$33,468	\$473	
<b>Business Financing</b>	<a href="https://reliantcapitalgrp.com/Apply-Now-TriWich">https://reliantcapitalgrp.com/Apply-Now-TriWich</a>			4.99% Interest Rate / Terms 12-84 months / Defer payments 3-12 months				
<b>Standard Payment Terms</b>	FOB Lucerne Valley 50% upon Order / 50% before shipment							
<b>We accept Purchase Orders, Credit Cards, Direct Wires, Zelle, Venmo, Checks &amp; E-Checks</b>								
<b>TriWich Partnership Solutions (need a Caddy to pull a boat trailer, RV, to a 80,000 lbs shipping container. Yes, we can help you with that)</b>								
<b>Pricing Valid 30 day until inflation is under control, Taxes and Shipping not included</b>					<b>Questions Contact Customer Service at &gt;&gt; Dan@TriWich.com or call 909.582.9591</b>			